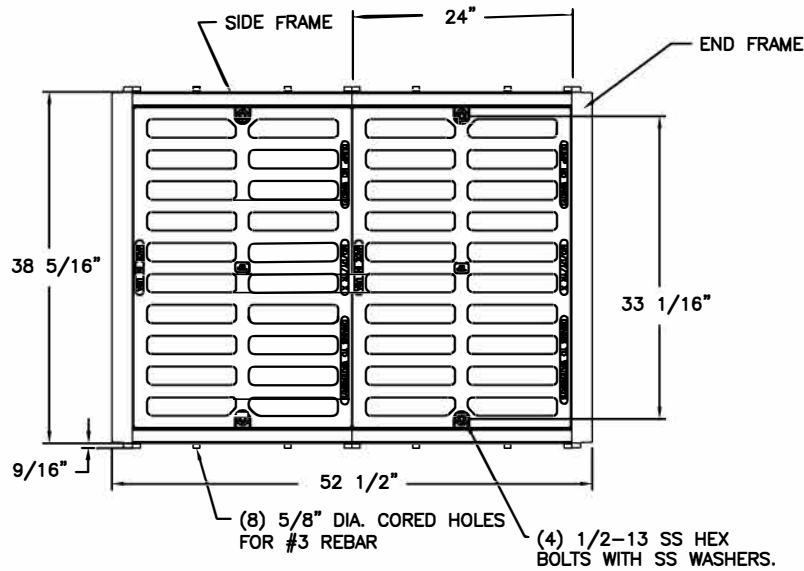
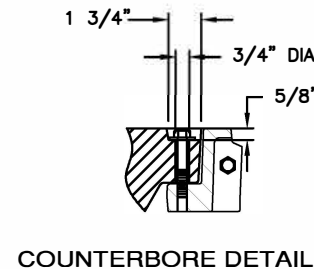
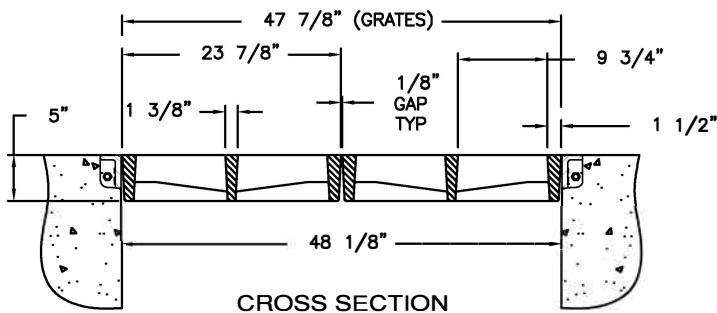
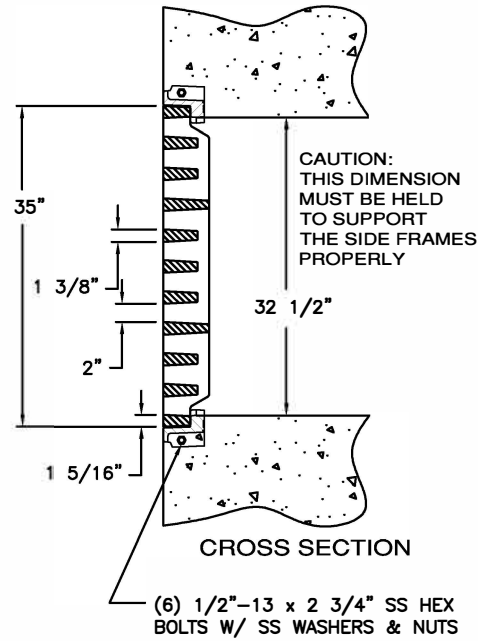


5436Z1 5436Z2 5436M1 Assembly



CAUTION:
DO NOT
DISASSEMBLE
BOLTED GRATES
BEFORE SETTING
SECTIONS IN
CONCRETE.



Product Number

00543604

Design Features

- Materials
 - Frame Ductile Iron (80-55-06)
 - Frame Ductile Iron (80-55-06)
 - Grate Ductile Iron (70-50-05)
- Design Load
 - Airport Extra Heavy Duty (Proof Load Tested to 200,000 lbs.)
- Open Area
 - 772 Sq. Inches
- Coating
 - Dipped
- ✓ Designates Machined Surface

Certification

- ASTM A536
- Country of Origin: USA

Major Components

00543650
00543652
00543632

Drawing Revision

5/25/2004 Designer: SBB
2/28/2020 Revised By: DAE

Disclaimer

Weights (lbs./kg) dimensions (inches/mm) and drawings provided for your guidance. We reserve the right to modify specifications without prior notice.

CONFIDENTIAL: This drawing is the property of EJ GROUP, Inc., and embodies confidential information, registered marks, patents, trade secret information, and/or know how that is the property of EJ GROUP, Inc. Copyright © 2012 EJ GROUP, Inc. All rights reserved.

Contact

877.903.7246
www.trenchdrainsupply.com